

## Standard wall mounted gas boiler

---

Vitopend 100-W (10.5 to 34 kW) 2.1

---

Flue system for standard wall mounted boilers 2.2

2



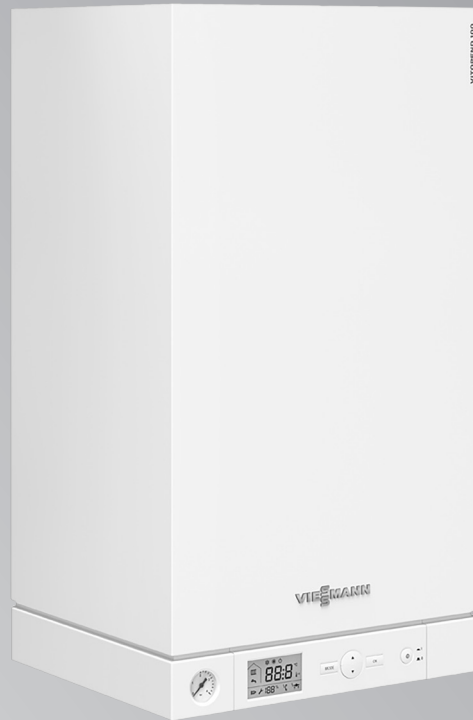
## VITOPEND 100-W

Gas system boiler and gas combi boiler  
for room sealed operation  
8.5 to 34.0 kW



Non EU countries only

2.1



### Vitopend 100-W

#### Type A1HB/A1JB

#### Fully automatic gas system boiler and gas combi boiler

- With modulating atmospheric burner with flue gas fan for **room sealed** operation
- A constant temperature control unit is included in the equipment price

#### For natural gas and LPG

#### Permissible operating pressure

Heating water 3 bar (0.3 MPa)  
DHW 10 bar (1 MPa)

#### Product ID:

- Very compact appliance dimensions
- High standard of quality and operational reliability through extensive development and production controls
- Straightforward connection of a backup appliance
- Only one sensor for room temperature-dependent or weather-compensated mode (accessories)
- High DHW convenience through integral plate heat exchanger, i.e. rapid DHW heating with a constant temperature
- Control unit with white backlit display and integral diagnostic system (with fault history for the last 10 faults)
- Integral time switch with individual day and seven-day program
- With option to offset the heating curves in parallel for individual comfort adjustments at the beginning/end of the heating season
- Water pressure switch integrated
- Resilient to gas and voltage fluctuations
- Straightforward conversion to LPG possible (accessories required)
- Simple conversion from gas combi boiler to gas system boiler (accessories required)

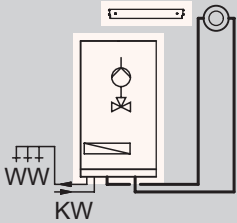
8/2023

5813378

## VITOPEND 100-W

Gas combi boiler for central and DHW heating  
Balanced flue appliance for **room sealed** operation

2.1

Heating system	Fuel Installation type	Rated heating output (kW) for central heating				MG W5
		12.0	24.0	29.9	34.0	
	Natural gas E (H)	A1JB009 800,-	A1JB010 887,-	A1JB011 994,-	A1JB012 1.130,-	Part no. Euro
Specification						
Length		340	340	360	360	mm
Width		400	400	450	450	mm
Height		725	725	725	725	mm
Weight		32	32	39	40	kg
Continuous DHW output		11.3	11.3	14	16	l/min
Flue gas connection		60	60	60	60	Ø mm
Ventilation air connection		100	100	100	100	Ø mm
Expansion vessel capacity		6	6	10	10	l

The boilers are preset for natural gas E.  
A conversion kit is supplied when ordering the LPG version.

The appliances are tested and approved for natural gas and LPG to EN 437.

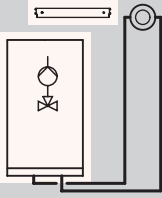
Standard delivery:

Standard unit

- Modulating, atmospheric burner with flue gas fan
- Integral DHW heating (instantaneous water heater)
- Constant temperature control unit
- Expansion vessel integrated
- Heating circuit pump (2-stage) with 3/2-way valve
- Fully plumbed and wired
- Filling device
- Wall mounting bracket
- Boiler flue connection for coaxial flue system

## VITOPEND 100-W

Gas system boiler for central heating  
Balanced flue appliance for **room sealed** operation

Heating system	Fuel Installation type	Rated heating output (kW) for central heating			MG W5
		24.0	29.9	34.0	
	Natural gas E (H) Natural gas LL With pipe bends	A1HB001 <b>845,-</b>	A1HB002 <b>952,-</b>	A1HB003 <b>1.079,-</b>	Part no. Euro
Specification					
Length		340	360	360	mm
Width		400	450	450	mm
Height		725	725	725	mm
Weight		31	38	38	kg
Flue gas connection		60	60	60	Ø mm
Ventilation air connection		100	100	100	Ø mm
Expansion vessel capacity		6	10	10	l

2.1

The boilers are preset for natural gas E.  
A conversion kit is supplied when ordering the LPG version.

The appliances are tested and approved for natural gas and LPG to EN 437.

Standard delivery:

Standard unit


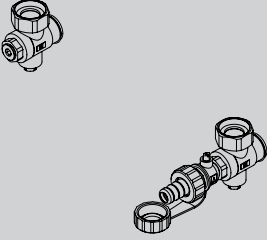


- Modulating, atmospheric burner with flue gas fan
- Constant temperature control unit
- Expansion vessel integrated
- Heating circuit pump (2-stage) with 3/2-way valve
- Fully plumbed and wired
- Wall mounting bracket
- Boiler flue connection for coaxial flue system

5813378

# VITOPEND 100-W

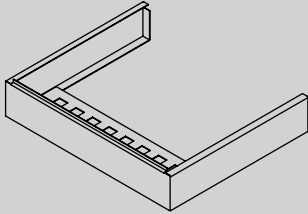
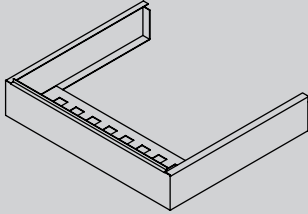
## Accessories

2.1

<b>Accessories</b>			
<b>Accessories</b>			<b>MG W</b>
<p><b>Conversion kit – gas combi boiler to gas system boiler</b></p> <ul style="list-style-type: none"> <li>Hydraulics, flow</li> <li>Hydraulics, return</li> <li>Bypass line</li> </ul>		ZK03102 99,-	Part no. Euro
<b>Miscellaneous</b>			<b>MG W</b>
<p><b>Tool kit</b></p> <p>For maintenance and service. Can be used for all Viessmann Vitodens, Vitopend, Vitovalor and Vitocaldens. Case with all tools required for maintenance and service: Screwdrivers, extension and inserts.</p>		ZK04569 88,-	Part no. Euro
<b>Installation</b>			<b>MG W</b>
<p><b>Individual fittings for gas system boilers</b></p> <p>Comprising:</p> <ul style="list-style-type: none"> <li>Shut-off valves</li> <li>Drain &amp; fill valve</li> </ul>		ZK02481 63,-	Part no. Euro
<b>Burner</b>			<b>MG W</b>
<p><b>LPG conversion kit for 12 and 24 kW</b></p> <p>Wobbe index:</p> <ul style="list-style-type: none"> <li>20.3 to 24.2 kW/m<sup>3</sup></li> <li>72.9 to 87.3 MJ/m<sup>3</sup></li> </ul>		ZK03104 65,-	Part no. Euro
<p><b>LPG conversion kit for 30 and 34 kW</b></p> <p>Wobbe index:</p> <ul style="list-style-type: none"> <li>20.3 to 24.2 kW/m<sup>3</sup></li> <li>72.9 to 87.3 MJ/m<sup>3</sup></li> </ul>		ZK03105 65,-	Part no. Euro

# VITOPEND 100-W

Accessories

Accessories			
Valve/fittings covers			MG W
<p><b>Valve/fittings cover</b> (not for DHW cylinders installed below the boiler)</p> <ul style="list-style-type: none"> <li>■ Vitopend 100-W, 400 mm wide</li> </ul>		<p>7243374 42,-</p>	<p>Part no. Euro</p>
<p><b>Valve/fittings cover</b> (not for DHW cylinders installed below the boiler)</p> <ul style="list-style-type: none"> <li>■ Vitopend 100-W, 450 mm wide</li> </ul>		<p>7243379 42,-</p>	<p>Part no. Euro</p>





2.1

5813378

# VITOPEND 100-W

## Control unit accessories

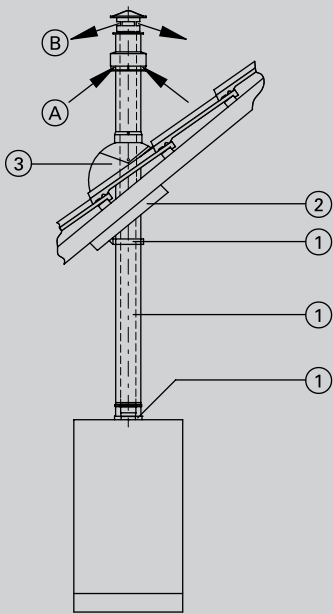
2.1

Control unit accessories			
<b>Sensors</b>			<b>MG W</b>
<b>Room/outside temperature sensor</b> <ul style="list-style-type: none"> <li>■ For use as a room temperature sensor</li> <li>■ For use as an outside temperature sensor with the Vitopend in weather-compensated mode</li> </ul>		ZK02192 <b>58,-</b>	Part no. Euro
<b>Control unit for room temperature-dependent mode</b>			<b>MG W</b>
<b>Vitotrol 100 (type UTDB)</b> <ul style="list-style-type: none"> <li>■ Room temperature controller</li> <li>■ With switching output (2-point output)</li> <li>■ With menu-guided operation</li> <li>■ With digital time switch</li> <li>■ With individual day and seven-day program</li> <li>■ With 3 preset time programs, individually adjustable</li> <li>■ Independent of mains power supply (3 V battery operation)</li> </ul>		Z007691 <b>162,-</b>	Part no. Euro
<b>OpenTherm modulating room temperature controller</b> <ul style="list-style-type: none"> <li>■ With seven-day program</li> <li>■ With connecting cable</li> <li>■ Operation without batteries (power supply via the boiler)</li> </ul>		Z014134 <b>194,-</b>	Part no. Euro
<b>Vitotrol 100 (type RT LV)</b> <ul style="list-style-type: none"> <li>■ OpenTherm room thermostat with switching output</li> <li>■ Operation with 24 V rated voltage</li> </ul>		ZK01502 <b>23,-</b>	Part no. Euro



## Flue system

For Vitopend 100-W  
- **Room sealed** operation  
- Coaxial balanced flue routing in aluminium

Balanced flue system For room sealed operation		MG WZ		
<p><b>For vertical roof outlets when installing the Vitopend in the attic (type C<sub>32x</sub>)</b> (Observe country-specific regulations).</p> <p>Structural unit. The flue system for vertical roof outlets is tested and CE designated as one structural unit together with the Vitopend. Consequently only this flue system may be used with the Vitopend for vertical roof outlets; observe the information on installation and sizing.</p>				
System size		60/100	80/125	
 <p>① Roof outlet, coaxial Comprising:</p> <ul style="list-style-type: none"> <li>■ Boiler flue connection (system size 80/125 mm with integral condensate trap)</li> <li>■ For system size 60/100 mm incl. balanced flue condensate trap</li> <li>■ Roof outlet</li> <li>■ Fixing clamp</li> <li>■ In black</li> </ul> <p>Roof outlet, coaxial Comprising:</p> <ul style="list-style-type: none"> <li>■ Boiler flue connection (system size 80/125 mm with integral condensate trap)</li> <li>■ For system size 60/100 mm incl. balanced flue condensate trap</li> <li>■ Roof outlet</li> <li>■ Fixing clamp</li> <li>■ In terracotta</li> </ul> <p>or</p> <p>Roof outlet, coaxial To prevent icing up Comprising:</p> <ul style="list-style-type: none"> <li>■ Boiler flue connection (system size 80/125 mm with integral condensate trap)</li> <li>■ For system size 60/100 mm incl. balanced flue condensate trap</li> <li>■ Roof outlet</li> <li>■ Fixing clamp</li> <li>■ Roof outlet (coaxial)</li> <li>■ In black</li> </ul> <p>② Universal cover plate</p>		7246543 222,-	-	Part no. Euro
		7246544 319,-	-	Part no. Euro
		7246800 222,-	-	Part no. Euro
		ZK02889 54,-	ZK02890 58,-	Part no. Euro

2.2

## Flue system

For Vitopend 100-W

- **Room sealed** operation

- Coaxial balanced flue routing in aluminium

2.2

Balanced flue system For room sealed operation			MG WZ	
System size	60/100	80/125	Ø mm	
③ <b>Universal roof tile</b> For Roman tiles, standard roof tiles, plain tiles, slate and other types of roof cover. Colour: <b>black</b> .  <b>Universal roof tile</b> For Roman tiles, standard roof tiles, plain tiles, slate and other types of roof cover. Colour: <b>terracotta</b> .  <b>Universal roof tile</b> ■ For plain tile, slate and other types of roof cover ■ Colour: black  ③ <b>Universal roof tile</b> ■ For plain tile, slate and other types of roof cover ■ Colour: terracotta	7338644 <b>63,-</b>		Part no. Euro <b>MG W</b>	
	7183692 <b>65,-</b>		Part no. Euro <b>MG W</b>	
	7373290 <b>40,-</b>		Part no. Euro	
	7373291 <b>40,-</b>		Part no. Euro	
<b>Balanced flue bend</b> 90°	7194836 <b>34,-</b>	7198594 <b>61,-</b>	Part no. Euro	
<b>Balanced flue bend</b> 45° (2 pce)	7194837 <b>55,-</b>	7198593 <b>99,-</b>	Part no. Euro	
<b>Balanced flue pipe</b> 1 m long (can be trimmed to size)	7194841 <b>36,-</b>	7198592 <b>77,-</b>	Part no. Euro	
<b>Balanced flue pipe</b> 0.5 m long (can be trimmed to size)	7194842 <b>34,-</b>	7198591 <b>61,-</b>	Part no. Euro	
<b>Balanced flue inspection piece</b> Straight	7194833 <b>125,-</b>	-	Part no. Euro	
<b>Balanced flue inspection bend</b> 90°	7194834 <b>119,-</b>	-	Part no. Euro	
<b>Condensate drain trap with hose</b> (length 1.5 m)	7179307 <b>38,-</b>		Part no. Euro <b>MG W</b>	

Max. total flue length up to the boiler flue connection						
Vitopend 100-W, type A1JB						
	8.5-12.0	8.5-24.0	11.4-29.9	13.8-34.0		
Rated heating output range	8.5-12.0	8.5-24.0	11.4-29.9	13.8-34.0		kW
Max. total length:						
■ System size 60/100	4	4	4	3		m
■ System size 80/125	-	-	8	5		m

**Please note:**

Additional bends reduce the maximum length.

## Flue system

For Vitopend 100-W  
- **Room sealed** operation  
- Coaxial balanced flue routing in aluminium

Balanced flue system For room sealed operation				MG WZ
<b>For external wall connection (type C12x)</b> (Observe country-specific regulations).  Structural unit. The flue system for external wall connection has been tested and CE designated as one structural unit together with the Vitopend. Therefore, only this flue system may be used with the Vitopend for external wall connection; observe the installation and sizing information.				
<b>System size</b>		<b>60/100</b>	<b>80/125</b>	<b>Ø mm</b>
<p>① Ventilation air ② Flue gas</p>	<b>① External wall connection, coaxial</b> Comprising: <ul style="list-style-type: none"> <li>■ External wall connection (incl. wall bezels)</li> <li>■ Boiler flue connection bend for system size 60/100 mm or boiler flue connection with integral condensate trap and balanced flue bend (87°) for system size 80/125 mm</li> </ul> or  <b>External wall connection, coaxial</b> To prevent icing up Comprising: <ul style="list-style-type: none"> <li>■ External wall connection (incl. wall bezels)</li> <li>■ Boiler flue connection bend for system size 60/100 mm or boiler flue connection with integral condensate trap and balanced flue bend (87°) for system size 80/125 mm</li> </ul>	7194844 <b>77,-</b>	7246540 <b>270,-</b>	Part no. <b>Euro</b>
		7246579 <b>110,-</b>	-	Part no. <b>Euro</b>
	<b>② Balanced flue pipe</b> 1 m long (can be trimmed to size)	7194841 <b>36,-</b>	7198592 <b>77,-</b>	Part no. <b>Euro</b>
	<b>Balanced flue pipe</b> 0.5 m long (can be trimmed to size)	7194842 <b>34,-</b>	7198591 <b>61,-</b>	Part no. <b>Euro</b>
	<b>③ Grille</b> Where the flue terminal is near public paths.	7337276 <b>41,-</b>		Part no. <b>Euro</b>
	<b>Balanced flue bend</b> 90°	7194836 <b>34,-</b>	7198594 <b>61,-</b>	Part no. <b>Euro</b>
	<b>Balanced flue bend</b> 45° (2 pce)	7194837 <b>55,-</b>	7198593 <b>99,-</b>	Part no. <b>Euro</b>
	<b>Balanced flue inspection piece</b> Straight	7194833 <b>125,-</b>	-	Part no. <b>Euro</b>
	<b>Balanced flue inspection bend</b> 90°	7194834 <b>119,-</b>	-	Part no. <b>Euro</b>
	<b>Balanced flue condensate trap</b>	7194846 <b>59,-</b>	-	Part no. <b>Euro</b>
<b>Condensate drain trap</b> with hose (length 1.5 m)	7179307 <b>38,-</b>		Part no. <b>Euro</b>	

2.2

## Flue system

For Vitopend 100-W

- **Room sealed** operation
- Coaxial balanced flue routing in aluminium

### Balanced flue system For room sealed operation

#### Max. total flue length up to the boiler flue connection

2.2

#### Vitopend 100-W, A1JB

	8.5-12.0	8.5 - 24.0	11.4-29.9	13.8-34.0		
Rated heating output range	8.5-12.0	8.5 - 24.0	11.4-29.9	13.8-34.0		kW
Max. total length:						
■ System size 60/100	4	4	4	3		m
■ System size 80/125	–	–	8	5		m

## Flue system

For Vitopend 100-W  
- **Room sealed** operation  
- Coaxial balanced flue routing in aluminium

### Balanced flue system For room sealed operation

MG WZ

**For vertical roof outlets when installing the Vitopend in the attic** (type C12<sub>x</sub>)  
(Observe country-specific regulations).

Structural unit.

The flue system for vertical roof outlets is tested and CE designated as one structural unit together with the Vitopend. Consequently only this flue system may be used with the Vitopend for vertical roof outlets; observe the information on installation and sizing.

2.2

System size	60/100	80/125	Ø mm
	<b>① Boiler flue connection, coaxial</b> 7197742 <b>31,-</b>	-	Part no. <b>Euro</b>
<b>② Balanced flue pipe</b> 1 m long (can be trimmed to size) <b>Balanced flue pipe</b> 0.5 m long (can be trimmed to size)	7194841 <b>36,-</b> 7194842 <b>34,-</b>	7198592 <b>77,-</b> 7198591 <b>61,-</b>	Part no. <b>Euro</b> Part no. <b>Euro</b>
<b>③ Balanced flue bend</b> 90° <b>Balanced flue bend</b> 45° (2 pce)	7194836 <b>34,-</b> 7194837 <b>55,-</b>	7198594 <b>61,-</b> 7198593 <b>99,-</b>	Part no. <b>Euro</b> Part no. <b>Euro</b>
<b>④ Balanced flue external wall connection</b> (incl. wall bezels)	7194843 <b>60,-</b>	-	Part no. <b>Euro</b>
<b>⑤ Grille</b> Where the flue terminal is near public paths.	7337276 <b>41,-</b>	-	Part no. <b>Euro</b>
<b>Balanced flue inspection piece</b> Straight	7194833 <b>125,-</b>	-	Part no. <b>Euro</b>
<b>Balanced flue inspection bend</b> 90°	7194834 <b>119,-</b>	-	Part no. <b>Euro</b>
<b>Balanced flue condensate trap</b> For vertical installation	7197769 <b>41,-</b>	-	Part no. <b>Euro</b>
<b>Condensate drain trap with hose</b> (length 1.5 m)	7179307 <b>38,-</b>	-	Part no. <b>Euro</b>

### Max. total flue length up to the boiler flue connection

Vitopend 100-W, A1JB					
Rated heating output range	8.5-12.0	8.5 - 24.0	11.4-29.9	13.8-34.0	
Max. total length:					
■ System size 60/100	4	4	4	3	m
■ System size 80/125	-	-	8	5	m

One 90° bend has been allowed for.

5117272

## Flue system

For Vitopend 100-W

- Room sealed operation
- Coaxial balanced flue routing in aluminium

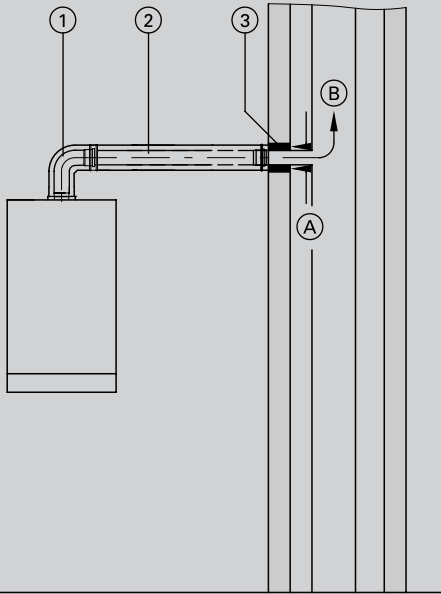
### Balanced flue system For room sealed operation

MG WZ

For connection to a concentric balanced flue chimney (type C<sub>42x</sub> to TRGI '86/96).

2.2

System size	60/100	80/125	Ø mm
<b>① Boiler flue connection bend</b> <b>Balanced flue bend</b> 90°	7194858 37,-	7198594 61,-	Part no. Euro
<b>② Balanced flue pipe</b> 1 m long (can be trimmed to size)	7194841 36,-	7198592 77,-	Part no. Euro
<b>Balanced flue pipe</b> 0.5 m long (can be trimmed to size)	7194842 34,-	7198591 61,-	Part no. Euro
<b>③ Wall liner</b> For concentric balanced flue chimneys. To be provided on site.			
<b>Balanced flue bend</b> 90°	7194836 34,-	7198594 61,-	Part no. Euro
<b>Balanced flue bend</b> 45° (2 pce)	7194837 55,-	7198593 99,-	Part no. Euro
<b>Balanced flue inspection piece</b> Straight	7194833 125,-	-	Part no. Euro
<b>Balanced flue inspection bend</b> 90°	7194834 119,-	-	Part no. Euro
<b>Balanced flue condensate trap</b>	7194846 59,-	-	Part no. Euro
<b>Condensate drain trap with hose</b> (length 1.5 m)	7179307 38,-	7179307 38,-	Part no. Euro



- (A) Ventilation air
- (B) Flue gas

### Max. total flue length up to the boiler flue connection

Vitopend 100-W, type A1JB

	8.5-12.0	8.5-24.0	11.4-29.9	13.8-34.0	
Rated heating output range	8.5-12.0	8.5-24.0	11.4-29.9	13.8-34.0	kW
Max. total length:					m
■ System size 60/100	4	4	4	-	m
■ System size 80/125	-	-	-	5	m

## Flue system

For Vitopend 100-W  
- **Room sealed** operation  
- Parallel balanced flue routing in aluminium

<b>Balanced flue system</b> For room sealed operation Parallel ventilation air and flue gas routing	<b>MG WZ</b>
---	--------------

**For vertical roof outlets when installing the Vitopend in the attic** (type C<sub>52</sub>)  
(Observe country-specific regulations).

Structural unit.

The flue system for vertical roof outlets is tested and CE designated as one structural unit together with the Vitopend. Consequently only this flue system may be used with the Vitopend for vertical roof outlets; observe the information on installation and sizing.

2.2

System size	80/80	Ø mm
<p>① External wall connection and roof outlet, parallel Comprising:</p> <ul style="list-style-type: none"> <li>Boiler flue connection (parallel) from Ø 60/100 to Ø 80/80 mm</li> <li>External wall ventilation air connection (Ø 80 mm)</li> <li>Bend, 90° (Ø 80 mm)</li> <li>Fixing clamp (Ø 125 mm)</li> <li>Condensate trap (Ø 80 mm)</li> <li>Vertical roof outlet (Ø 80 mm)</li> <li>Colour: terracotta</li> </ul> <p>② Universal roof tile For Roman tiles, standard roof tiles, plain tiles, slate and other types of roof cover. Colour: <b>black</b>.</p> <p><b>Universal roof tile</b> For Roman tiles, standard roof tiles, plain tiles, slate and other types of roof cover. Colour: <b>terracotta</b>.</p> <p>③ Universal cover plate</p> <p><b>Fixing clamp</b> (Ø 125 mm)</p> <p>④ <b>Pipe</b> (Ø 80 mm) 1 m long (can be trimmed to size)</p> <p><b>Pipe</b> (Ø 80 mm) 0.5 m long (can be trimmed to size)</p> <p><b>Bend</b> (Ø 80 mm) 90°</p> <p><b>Bend</b> (Ø 80 mm) 45°</p> <p><b>Condensate drain trap</b> with hose (length 1.5 m)</p> <p>Ⓐ Ventilation air Ⓑ Flue gas</p>	7246554 <b>356,-</b>	Part no. <b>Euro</b>
	7338644 <b>63,-</b>	Part no. <b>Euro</b>
	7183692 <b>65,-</b>	Part no. <b>Euro</b> <b>MG W</b>
	ZK02890 <b>58,-</b>	Part no. <b>Euro</b>
	7198596 <b>10,80</b>	Part no. <b>Euro</b>
	7198580 <b>35,-</b>	Part no. <b>Euro</b>
	7198581 <b>25,-</b>	Part no. <b>Euro</b>
	7198578 <b>25,-</b>	Part no. <b>Euro</b>
	7198579 <b>36,-</b>	Part no. <b>Euro</b>
	7179307 <b>38,-</b>	Part no. <b>Euro</b>

### Max. total flue length up to the boiler flue connection

Vitopend 100-W, type A1JB					
Rated heating output range	8.5-12.0	8.5-24.0	11.4-29.9	13.8-34.0	kW
Max. total length: ■ System size 80/80	28	28	18	20	m

**Please note:**

The condensate trap must be fitted.

## Flue system

For Vitopend 100-W

- **Room sealed** operation

- Parallel balanced flue routing in aluminium

2.2

### Balanced flue system

For room sealed operation

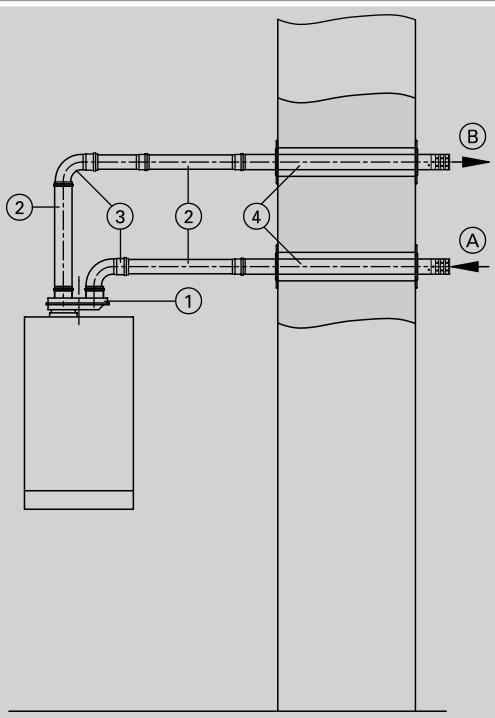
Parallel ventilation air and flue gas routing

MG WZ

For external wall connection (type C12)  
(Observe country-specific regulations).

Structural unit.

The flue system for external wall connection has been tested and CE designated as one structural unit together with the Vitopend. Therefore, only this flue system may be used with the Vitopend for external wall connection; observe the installation and sizing information.

System size	80/80	Ø mm
 <p>① External wall connection, parallel</p> <ul style="list-style-type: none"> <li>■ Boiler flue connection (parallel) from Ø 60/100 to Ø 80/80 mm</li> <li>■ External wall connection, ventilation air/flue gas</li> <li>■ 90° bend (2 pce)</li> <li>■ Condensate trap</li> </ul> <p>② Pipe (Ø 80 mm) 1 m long (can be trimmed to size)</p> <p>Pipe (Ø 80 mm) 0.5 m long (can be trimmed to size)</p> <p>Bend (Ø 80 mm) 90°</p> <p>Bend (Ø 80 mm) 45°</p> <p>Condensate drain trap with hose (length 1.5 m)</p> <p>Ⓐ Ventilation air Ⓑ Flue gas</p>	7246542 <b>222,-</b>	Part no. Euro
	7198580 <b>35,-</b>	Part no. Euro
	7198581 <b>25,-</b>	Part no. Euro
	7198578 <b>25,-</b>	Part no. Euro
	7198579 <b>36,-</b>	Part no. Euro
	7179307 <b>38,-</b>	Part no. Euro

### Max. total flue length up to the boiler flue connection

#### Vitopend 100-W, type A1JB

	8.5-12.0	8.5-24.0	11.4-29.9	13.8-34.0	
Rated heating output range	8.5-12.0	8.5-24.0	11.4-29.9	13.8-34.0	kW
Max. total length: ■ System size 80/80	28	28	18	20	m

**Please note:**

The condensate trap must be fitted.